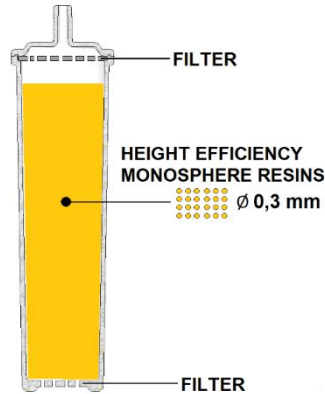
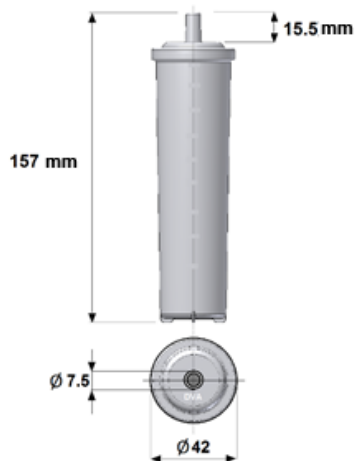


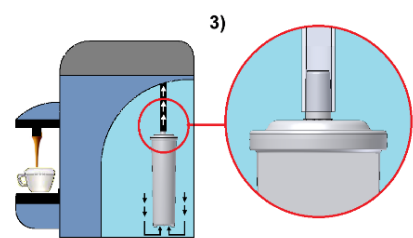
Mini-Softeners ETO



TECHNICAL DATA:

Diameter 42 mm
Height 157 mm
Weight 130 gr
Resin volume 0.1 l

Instructions use:



LITRES OF SOFT WATER BASED ON WATER HARDNESS						
°f	20	30	40	50	60	Cyclic Capacity m ³ .°f
°d	11	16	22	28	33	
ppm CaCO ₃	200	300	400	500	600	
ETO	63	41	31	24	21	1.26

This softener is ideal for following use: coffee machines



Certification



Waste disposal



CODE ORDER: **FA06/B MINISOFTENER ETO NAT**