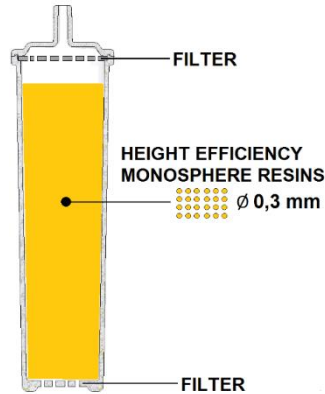
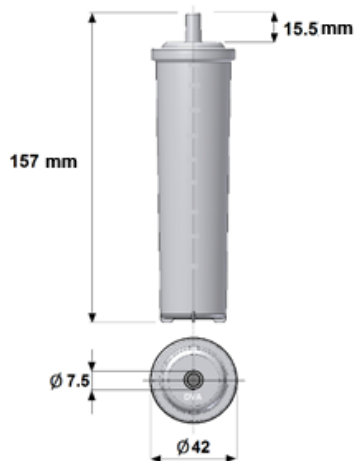


Mini-Softeners ETO

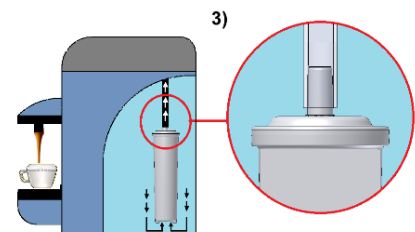


TECHNICAL DATA:

Diameter 42 mm
Height 157 mm
Weight 130 gr
Resin volume 0.1 l



Instructions use:



LITRES OF SOFT WATER BASED ON WATER HARDNESS						Cyclic Capacity m ³ .of
°f	20	30	40	50	60	
°d	11	16	22	28	33	
ppm CaCO ₃	200	300	400	500	600	
ETO	63	41	31	24	21	1.26

This softener is ideal for following use: coffee machines



Certification



Waste disposal

