

DVA[®]
DE VECCHI S.R.L.

WATER SOFTENERS



CHRONOMETRIC

VOLUMETRIC



REK SERIES

WATER SOFTENERS

DVA[®]
DE VECCHI S.R.L.

WHY DO I NEED A WATER SOFTENER?

Mineral salts dissolved in water are imperceptible and necessary for our health.

Unfortunately when water is used by machines mineral salts become a problem, which compromise their

efficiency and cause the damage of the machine.

Water rich in mineral salts is called "Hard", while water with few salts is called "Soft"; more "Hard" is the water more problem can cause to the machines. Water softeners are used to filter "Hard" water to make it "Soft", so it can be used without ruining the machines.

Softened water does not promote the creation of limescale and allows to:

- save money on machine maintenance
- increase the implant duration and performance
- drastically reduce the amount of detergent during washing
- guarantee the absence of marks on shiny surfaces after washing.

CHARACTERISTICS



REK is a fully enclosed automatic water softener to protect itself from dust and foreign bodies. Despite having small dimensions, it has very respectable performance.

REK is available in both Chronometric and Volumetric versions.

Its small size makes it easy to handle and suitable for installation in small spaces.

PROGRAMMING

Programming is quick and easy and is protected by a password, which has the function of protecting the softener from any tampering.



CHRONOMETRIC REK



VOLUMETRIC REK

The wide opening makes easier the loading of salt into the brine.



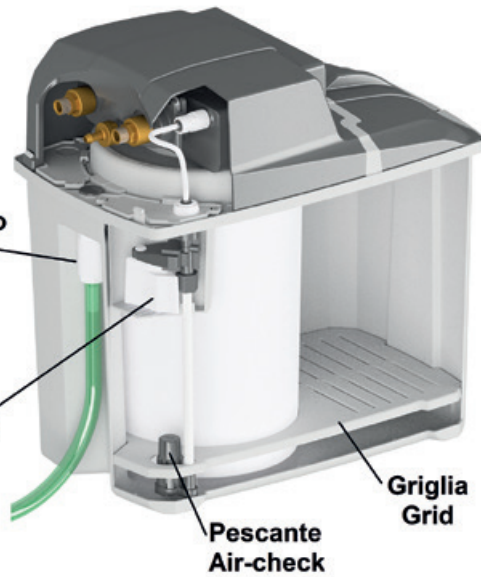
Another technical solution is the disassembly of the tank from the brine body, which allows for easier maintenance and cleaning.



DESIGN

Scarico di troppo pieno con valvola di non ritorno
Overflow drain with non-return valve

Dispositivo anti-allagamento
Anti-overflow Device



Griglia
Grid

Pescante
Air-check

REK is available with two different types of cylinders: steel and nylon.

TECHNICAL SOLUTION

All the components inside the **REK** softeners guarantee maximum efficiency and good operation.

REK has a fully integrated internal anti-flooding system, which prevents any over-flow.

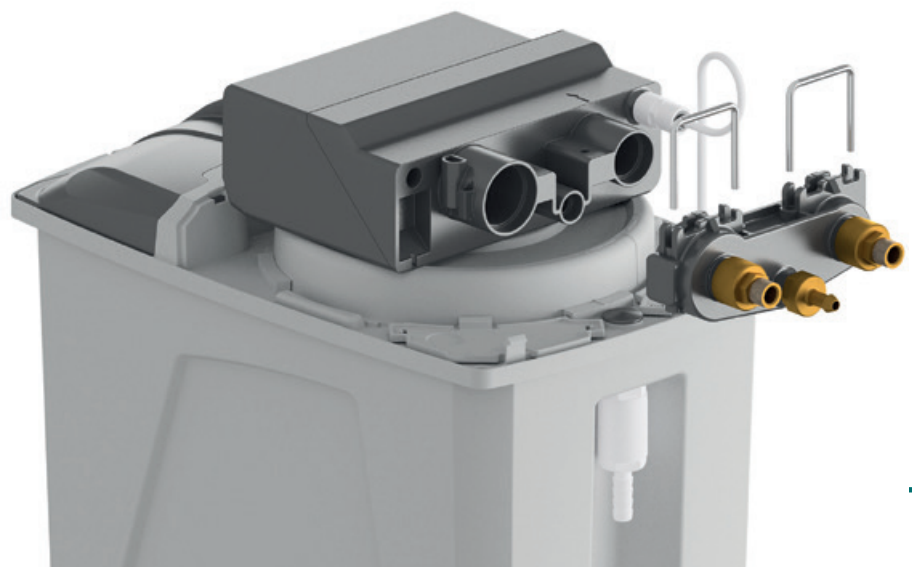
The grid inside the brine, homogeneously dissolves the salt to carry out a more effective regeneration.

The overflow fitting, also incorporated in the softener, is designed to avoid any water return from the drain.



WATER CONNECTION

Thank to the removable connection the maintenance is easier.



APPLICATIONS

The **REK** Series suits for treating water destined for coffee machines, cup washers, ice makers, etc.



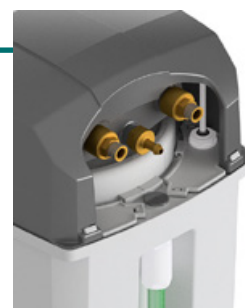
REK

Weight	12 Kg
Regeneration salt	1 Kg
Salt braine tank	20 Kg
Cyclic capacity	33.6 m ³ °f
Resin quantity	5.5 lt



TECHNICAL FEATURES

Flow rate	1500 l/h
Room temperature	min 4°C - max 35°C
Temperature water	min 6°C - max 25°C
Supply water pressure	0.2 Mpa Min 2 bar - 0.8 Mpa Max 8 bar
Power supply	Standard: 230V 50/60 Hz Optional: 120V 60 Hz
Absorbed power	6 W
Water network connections	3/4" G (M) o 3/8" G (M)



CONNECTION 3/8" G



CONNECTION 3/4" G

SOFT WATER LITRES BASED ON WATER HARDNESS

	20	30	40	50	60	Cyclic Capacity m ³ .°f
°f						
°d	11	16	22	28	33	
ppm CaCO ₃	200	300	400	500	600	
REK	1680	1120	840	672	560	33.6

SUPPLY WATER FEATURES

Supply water:

- must be drinking
- the temperature must be between min 6 °C and max 25 °C
- must be clear water (SDI 1)
- its hardness must be less than 90

