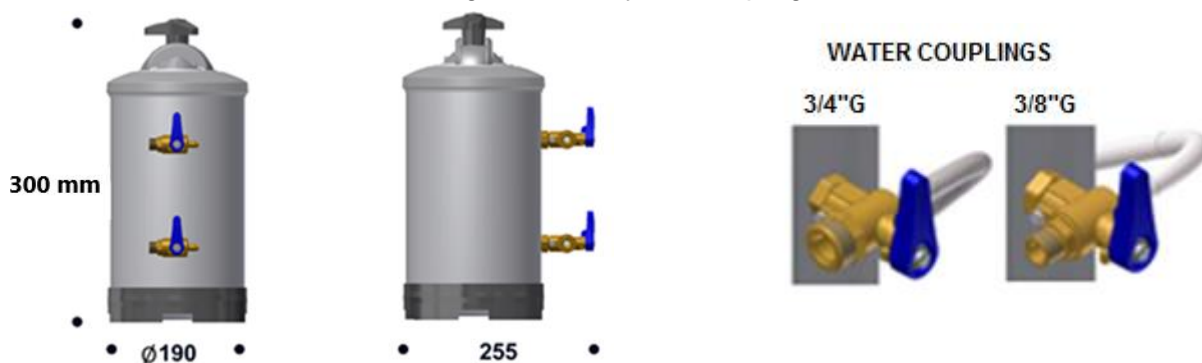


Manual water softener LT5

The LT model features two ball-type valves in brass; one is located upstream, where water flows in, and the other downstream, where water flows out of the softener. Moreover, various water pipe couplings are available more specifically: the 3/8" G and the 3/4" G couplings as well as quick pipe couplings for pipes measuring 8 or 10 mm in diameter. Note that equipment connected to softeners cannot be used when a resin regeneration cycle is in progress.



TECHNICAL FEATURES

Height	300 mm
Weight	5 kg
Infeed water pressure	min 1 bar- max 8 bar
Max flow rate suggested	1000 l/h
Room temperature	min 4°C – max 35°C
Salt quantity for regeneration cycle	0.5 kg

PRODUCT ORDER CODE: LT 5 coupling 3/8" G **DVN511003**

LT 5 coupling 3/4" G **DVL511003**

INFEEED WATER FEATURES

Drinkable water
Temperature min 6°C – max 25°C
Clear water
Max water hardness 90°f

LITRES OF SOFT WATER BASED ON WATER HARDNESS						Cyclic Capacity m ³ .°f
°f	20	30	40	50	60	
°d	11	16	22	28	33	
ppm CaCO ₃	200	300	400	500	600	
LT 5	1050	700	525	420	350	21.0



THIS SOFTENER IS IDEAL FOR THE FOLLOWING USE:

