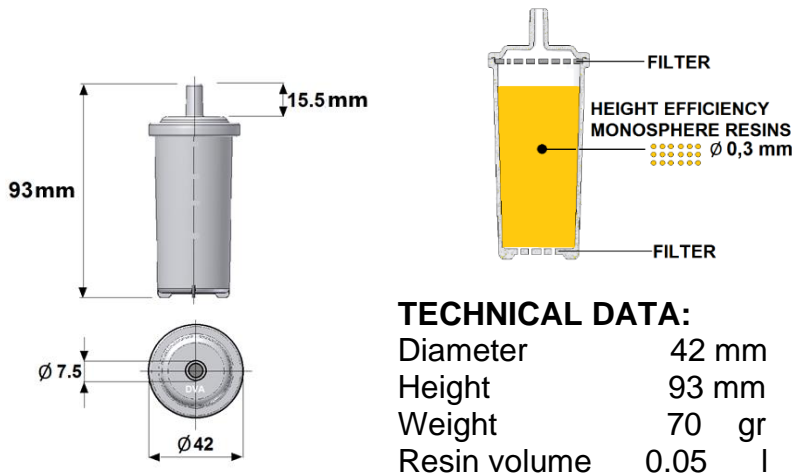


Mini-Softeners TIA



TECHNICAL DATA:
 Diameter 42 mm
 Height 93 mm
 Weight 70 gr
 Resin volume 0.05 l



Instructions use:



LITRES OF SOFT WATER BASED ON WATER HARDNESS						Cyclic Capacity m ³ .°f
°f	20	30	40	50	60	
°d	11	16	22	28	33	
ppm CaCO ₃	200	300	400	500	600	
TIA	31	20	15	12	10	0.62

This softener is ideal for the following use: coffee machines



Certification



Waste disposal



CODE ORDER: FA07/B MINISOFTENER TIA NAT