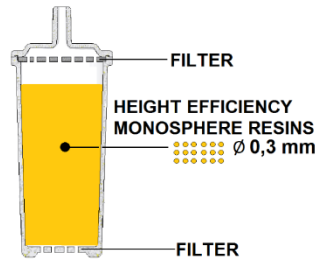
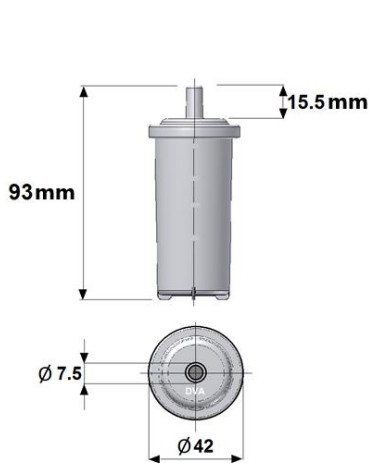


Mini-Softeners TIA



TECHNICAL DATA:

Diameter	42 mm
Height	93 mm
Weight	70 gr
Resin volume	0.05 l



Instructions use:



LITRES OF SOFT WATER BASED ON WATER HARDNESS						
°f	20	30	40	50	60	Cyclic Capacity m ³ .°f
°d	11	16	22	28	33	
ppm CaCO ₃	200	300	400	500	600	
TIA	31	20	15	12	10	0.62

This softener is ideal for the following use: coffee machines



Certification



Waste disposal

